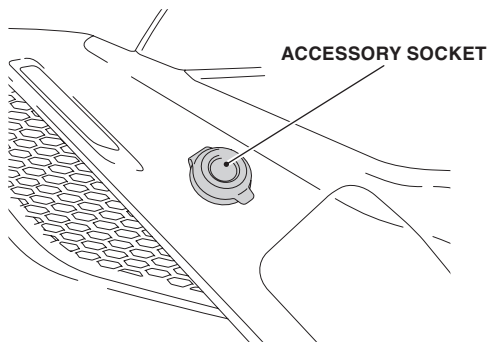


COMMON

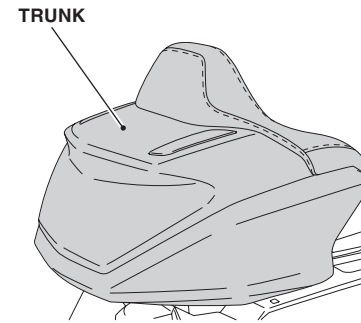
- Added accessories can affect a motorcycle's stability, performance and safe riding speed.

ACCESSORY SOCKET



- The maximum power rating of connected accessories is 120W (12V, 10A).
- Use accessories with engine running to avoid discharging the battery.
- Do not use a cigarette lighter, as this can cause a malfunction.
- Cover the socket with the cap when the accessory socket is not used to prevent entry of foreign objects.
- Do not use the accessory socket when the motorcycle is being washed.
- Carefully secure any connected devices, as vibrations or rainwater may cause them to shift unexpectedly.
- Make sure that the cable of device connected to the accessory socket does not disturb the steering operation or riding. Do not pinch the cable to prevent from being damaged.

ADD TRUNK

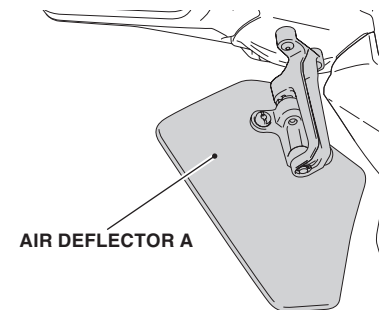


- The weight of the cargo must not exceed the following maximum load capacity:
9.0 kg (20.0 lb)
- When this accessory becomes dirty, rinse it thoroughly with cool water to remove loose dirt, then wipe with a clean cloth or sponge. Do not use a brush to clean this accessory as it may scratch the surface.
- Never use organic solvents such as gasoline, thinner and benzine to clean this accessory. Also do not use acid or alkaline cleaners to clean this accessory. Wipe up spilled brake or battery fluid at once as they may damage the surface.
- Be careful not to get caught the item you stored when closing the trunk.
- Make sure the trunk is closed before riding.

HOW TO USE THE TRUNK

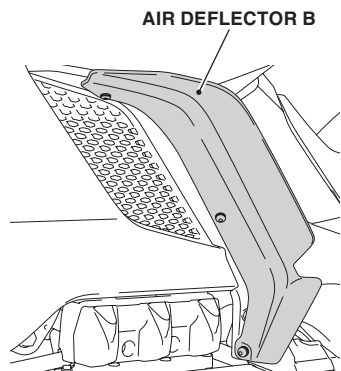
- For operating instruction, see the Owner's Manual.

AIR DEFLECTOR A



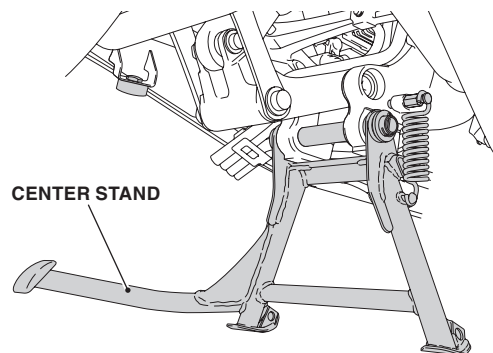
- When this accessory becomes dirty, rinse it thoroughly with cool water to remove loose dirt, then wipe with a clean cloth or sponge. Do not use a brush to clean this accessory as it may scratch the surface.
- Never use organic solvents such as gasoline, thinner and benzine to clean this accessory. Also do not use acid or alkaline cleaners to clean this accessory. Wipe up spilled brake or battery fluid at once as they may damage the surface.
- Handle this accessory with care. It can be damaged when it is bent excessively or is subject to strong shock or impact.

AIR DEFLECTOR B



- When this accessory becomes dirty, rinse it thoroughly with cool water to remove loose dirt, then wipe with a clean cloth or sponge. Do not use a brush to clean this accessory as it may scratch the surface.
 - Never use organic solvents such as gasoline, thinner and benzene to clean this accessory. Also do not use acid or alkaline cleaners to clean this accessory.
- Wipe up spilled brake or battery fluid at once as they may damage the surface.
- Handle this accessory with care. It can be damaged when it is bent excessively or is subject to strong shock or impact.

CENTER STAND

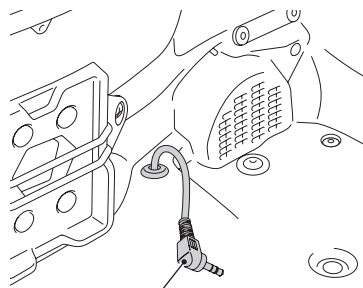


HOW TO USE THE CENTER STAND

- For operating instruction, refer to the Owner's Manual.

AUX CODE

<GL1800DA>



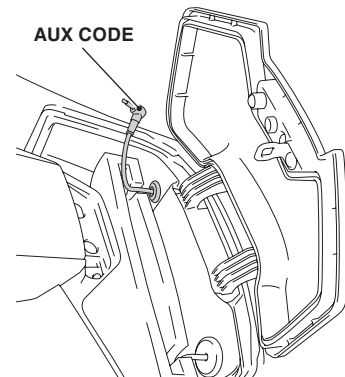
AUX CODE

- Some portable audio systems may pick up noise from the ignition.
- Adjust the volume of the portable audio system so that it is about the same level as the GL's radio volume. If the volume of the portable audio system is set too high, the sound coming out from the speakers or headset may be distorted.
- Do not leave your device in the vehicle (trunk or shelter case, etc.). High heat will damage it.
- Read precaution statements on the provided instructions of your device.
- We recommend backing up your data before playing it.
- We recommend covering your devices with an audio pouch, or soft fabric or cover to protect from damage.
- Be careful to not get the AUX code wet.
- Do not connect incompatible devices.

HOW TO USE THE AUX CORD

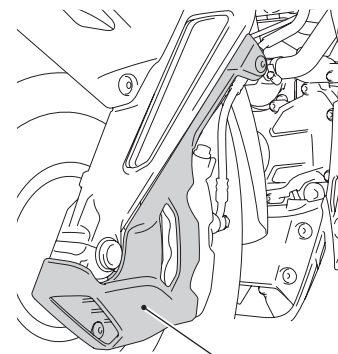
1. Open the trunk or shelter case.
2. Connect your portable audio system to the AUX code.
3. Store your portable audio system in the trunk or shelter case.
4. Close the trunk or shelter case.
5. Select the audio output device.
6. Press SOURCE switch to select [AUX].

<GL1800/B/BD>



AUX CODE

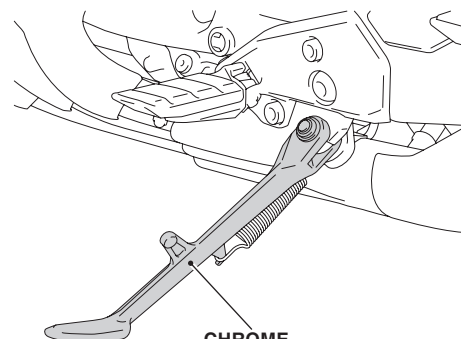
CHROME / FRONT CALIPER COVER



FRONT CALIPER COVER

- When this accessory becomes dirty, rinse it thoroughly with cool water to remove loose dirt, then wipe with a clean cloth or sponge. Do not use a brush to clean this accessory as it may scratch the surface.
 - Never use organic solvents such as gasoline, thinner and benzene to clean this accessory. Also do not use acid or alkaline cleaners to clean this accessory.
- Wipe up spilled brake or battery fluid at once as they may damage the surface.

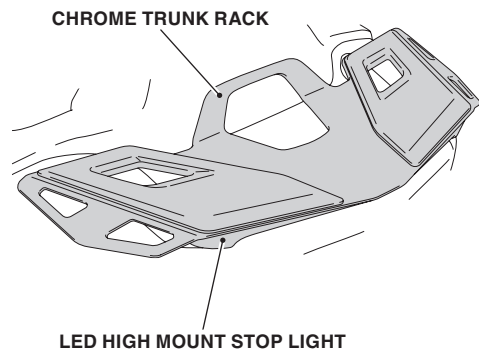
CHROME SIDE STAND



CHROME SIDE STAND

- When this accessory becomes dirty, rinse it thoroughly with cool water to remove loose dirt, then wipe with a clean cloth or sponge. Do not use a brush to clean this accessory as it may scratch the surface.
 - Never use organic solvents such as gasoline, thinner and benzene to clean this accessory. Also do not use acid or alkaline cleaners to clean this accessory.
- Wipe up spilled brake or battery fluid at once as they may damage the surface.

CHROME TRUNK RACK / LED HIGH MOUNT STOP LIGHT



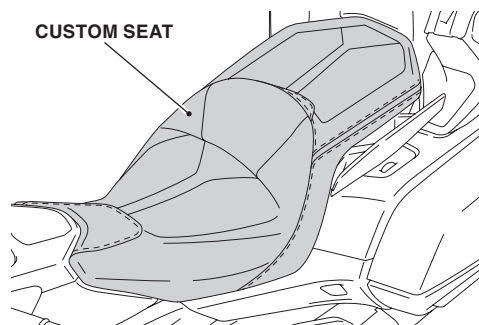
CHROME TRUNK RACK

- The weight of the cargo must not exceed the following maximum load capacity:
2.3 kg (5.0 lb)
- When this accessory becomes dirty, rinse it thoroughly with cool water to remove loose dirt, then wipe with a clean cloth or sponge.
Do not use a brush to clean this accessory as it may scratch the surface.
- Never use organic solvents such as gasoline, thinner and benzene to clean this accessory. Also do not use acid or alkaline cleaners to clean this accessory.
Wipe up spilled brake or battery fluid at once as they may damage the surface.
- Do not open and close the trunk lid by holding this accessory.

LED HIGH MOUNT STOP LIGHT

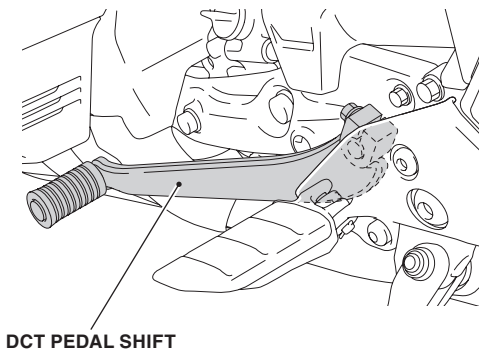
- The LED high mount stop light use several LEDs. If there is a LED which is not turned on, see your dealer for servicing.

CUSTOM SEAT



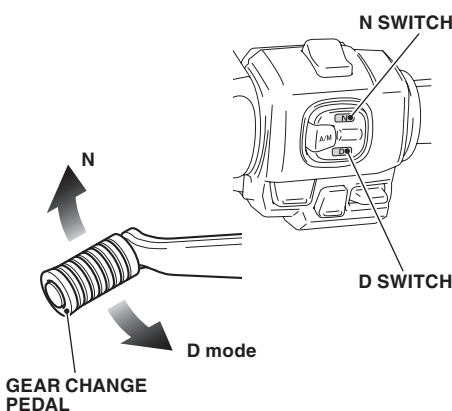
- When this accessory becomes dirty, rinse it thoroughly with cool water to remove loose dirt, then wipe with a clean cloth or sponge.
Do not use a brush to clean this accessory as it may scratch the surface.
- Never use organic solvents such as gasoline, thinner and benzene to clean this accessory. Also do not use acid or alkaline cleaners to clean this accessory.
Wipe up spilled brake or battery fluid at once as they may damage the surface.

DCT PEDAL SHIFT



- Do not disassemble the DCT pedal shift.

DCT PEDAL SHIFT

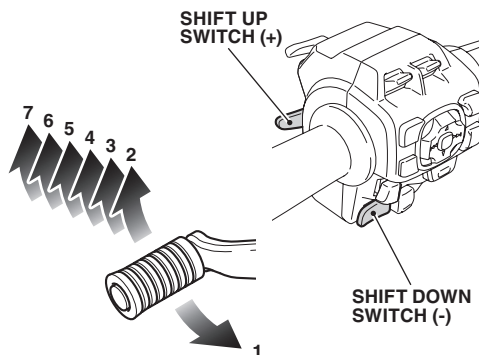


OPERATING INSTRUCTIONS

- The gear change pedal for this accessory can do the same operations as N switch, D switch, shift up switch (+) and shift down switch (-).
- Only the operating instructions of gear change pedal is described in this manual. Please make sure that you read owner's manual together.

<When Stopping>

- Lower the gear change pedal from the neutral (N) to switch to D mode.
- Raise the gear change pedal to switch to neutral (N).



<When Riding>

- Raise the gear change pedal to shift up a gear and lower the gear change pedal to shift down a gear.
- Shifting gears can not be made when operating the gear change pedal while pressing the shift switch, or operation the shift switch while shifting with the gear change pedal.

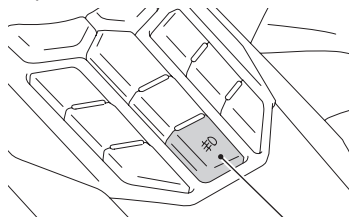
FRONT LED FOG LAMP

FRONT LED FOG LAMP



HOW TO USE THE FOG LAMP SWITCH

- When the ignition switch is ON and the fog lamp switch is pressed, a fog lamp lights up.
- When the fog lamp switch is pressed again, the fog lamp is turned off.

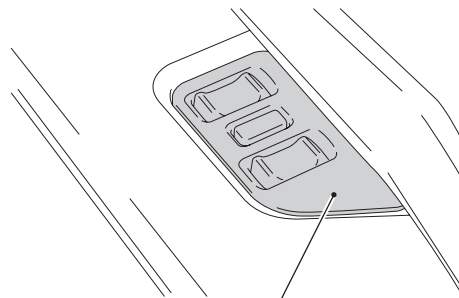


FOG LAMP SWITCH

PASSENGER AUDIO SWITCH

HOW TO USE THE PASSENGER AUDIO SWITCH

- Each switch of passenger audio switch has the same function as the VOL lever on the left handle bar, 4-way key switch (◀◀, ▶▶) and SORCE switch.
- You cannot operate Android Aout™ and Apple CarPlay® by TRACK switch of the passenger audio switch.

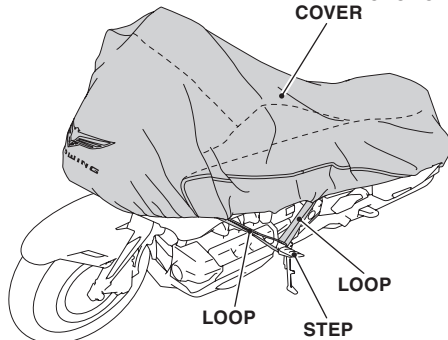


PASSENGER AUDIO SWITCH

Android and Android Auto are trademarks of google LLC.
Apple CarPlay is a registered trade mark of Apple Inc.

MOTORCYCLE COVER

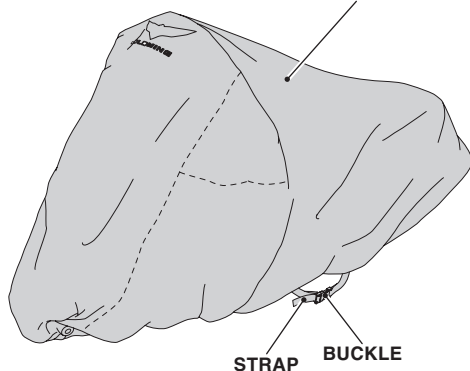
HALF MOTORCYCLE COVER



LOOP
STEP

- Let the engine and exhaust muffler cool thoroughly before using the motorcycle cover.
- Remove dust adhered to your motorcycle and the back side of cover with a feather duster or a soft cloth before using the motorcycle cover.
- This cover is not perfect waterproofed. Your motorcycle may get wet under the heavy or long rain.
- Dry your motorcycle and the motorcycle cover well before using the cover. Using the cover while wet may affect your motorcycle and the cover.
- Please dry the motorcycle cover in shade.
- Please do not leave your motorcycle with the cover at a high temperature. It may cause unexpected damage such as thermal deformation of the wind shield.
- Please do not use the motorcycle cover in a strong wind. Fluttering by wind may affect the painted surface of your motorcycle.

MOTORCYCLE COVER

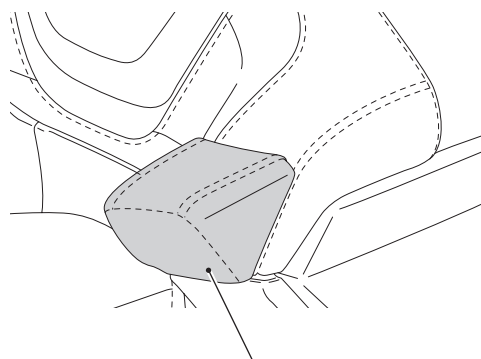


STRAP
BUCKLE

HOW TO USE THE MOTORCYCLE COVER

1. Put the motorcycle cover on the motorcycle.
2. Put a loops (half type), or attach the left and right buckle and pull the strap.

PASSENGER ARMREST

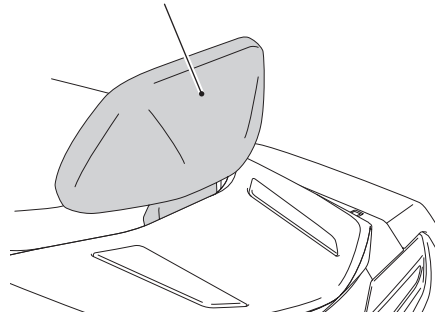


PASSENGER ARMREST

- When this accessory becomes dirty, rinse it thoroughly with cool water to remove loose dirt, then wipe with a clean cloth or sponge.
Do not use a brush to clean this accessory as it may scratch the surface.
- Never use organic solvents such as gasoline, thinner and benzene to clean this accessory. Also do not use acid or alkaline cleaners to clean this accessory.
Wipe up spilled brake or battery fluid at once as they may damage the surface.

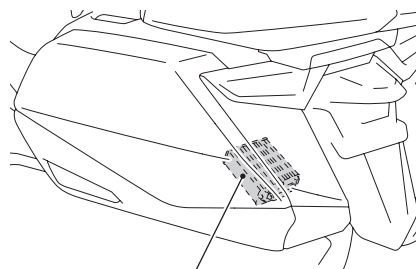
PASSENGER BACKREST

PASSENGER BACKREST



- When this accessory becomes dirty, rinse it thoroughly with cool water to remove loose dirt, then wipe with a clean cloth or sponge.
Do not use a brush to clean this accessory as it may scratch the surface.
- Never use organic solvents such as gasoline, thinner and benzene to clean this accessory. Also do not use acid or alkaline cleaners to clean this accessory.
Wipe up spilled brake or battery fluid at once as they may damage the surface.

POWER AMPLIFIER



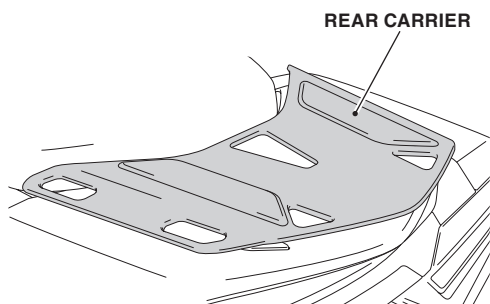
POWER AMPLIFIER

- Use accessories with engine running to avoid discharging the battery.

AMPLIFIER

- Rated output: 55W × 4ch

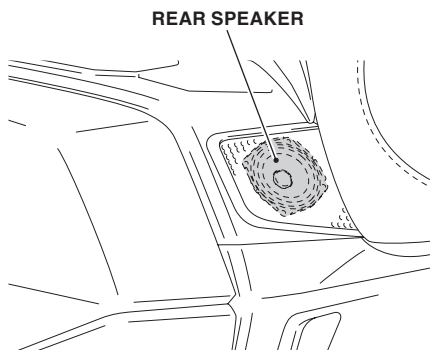
REAR CARRIER



REAR CARRIER

- The weight of the cargo must not exceed the following maximum weight capacity:
3.0 kg (6.6 lb)
- When this accessory becomes dirty, rinse it thoroughly with cool water to remove loose dirt, then wipe with a clean cloth or sponge.
Do not use a brush to clean this accessory as it may scratch the surface.
- Never use organic solvents such as gasoline, thinner and benzine to clean this accessory. Also do not use acid or alkaline cleaners to clean this accessory.
Wipe up spilled brake or battery fluid at once as they may damage the surface.

REAR SPEAKER

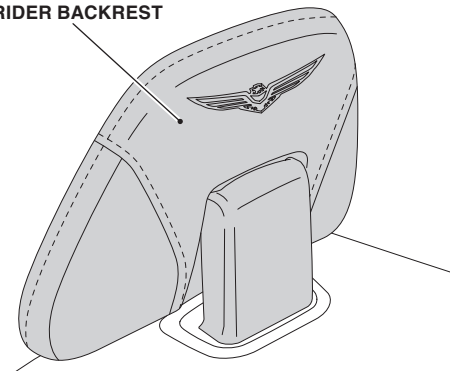


REAR SPEAKER

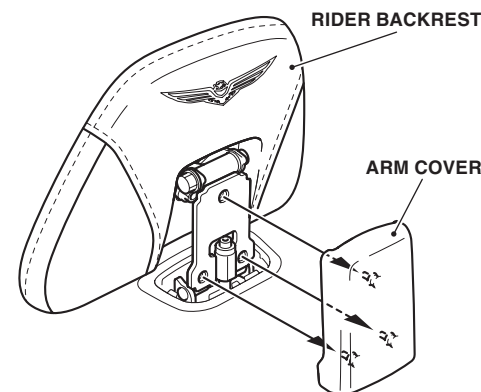
- Rated input: 55W

RIDER BACKREST

RIDER BACKREST



- When this accessory becomes dirty, rinse it thoroughly with cool water to remove loose dirt, then wipe with a clean cloth or sponge.
Do not use a brush to clean this accessory as it may scratch the surface.
- Never use organic solvents such as gasoline, thinner and benzine to clean this accessory. Also do not use acid or alkaline cleaners to clean this accessory.
Wipe up spilled brake or battery fluid at once as they may damage the surface.



RIDER BACKREST

ARM COVER

ADJUST THE RIDER BACKREST

1. Remove the arm cover as shown.

RIDER BACKREST

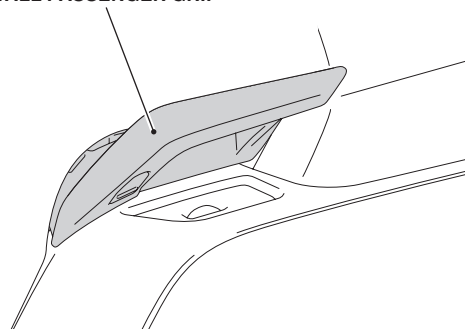
ADJUST BOLT

8 mm NUT

2. Loosen the adjust bolt and 8 mm nut.
 - **Adjust the position of the rider backrest with the adjust bolt and tighten the 8 mm nut.**
3. Install the arm cover in the reverse order of removal.

TALL PASSENGER GRIP

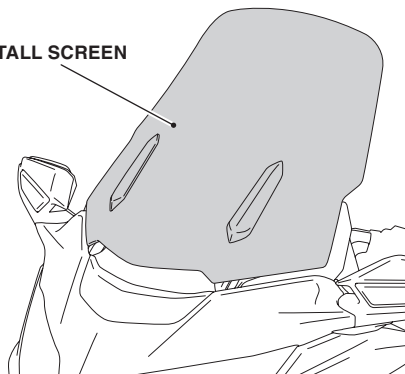
TALL PASSENGER GRIP



- When this accessory becomes dirty, rinse it thoroughly with cool water to remove loose dirt, then wipe with a clean cloth or sponge. Do not use a brush to clean this accessory as it may scratch the surface.
 - Never use organic solvents such as gasoline, thinner and benzine to clean this accessory. Also do not use acid or alkaline cleaners to clean this accessory.
- Wipe up spilled brake or battery fluid at once as they may damage the surface.

TALL SCREEN

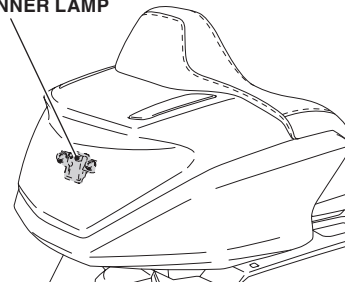
TALL SCREEN



- Reduce speed when running in strong wind.
 - Replace this accessory with a new one if it is damaged or discolored excessively.
 - When this accessory becomes dirty, rinse it thoroughly with cool water to remove loose dirt, then wipe with a clean cloth or sponge. Do not use a brush to clean this accessory as it may scratch the surface.
 - Never use organic solvents such as gasoline, thinner and benzine to clean this accessory. Also do not use acid or alkaline cleaners to clean this accessory.
- Wipe up spilled brake or battery fluid at once as they may damage the surface.
- If the motorcycle is left covered for an extended period of time, park in the shade. Parking a covered motorcycle in direct sunlight can cause the windscreen to deform due to heat buildup under the cover.
 - Handle this accessory with care. It can be damaged when it is bent excessively or is subject to strong shock or impact.
 - Select a firm, level surface when you park the motorcycle.
- Also bear in mind that strong wind can cause the motorcycle to topple to the ground.

TRUNK INNER LAMP

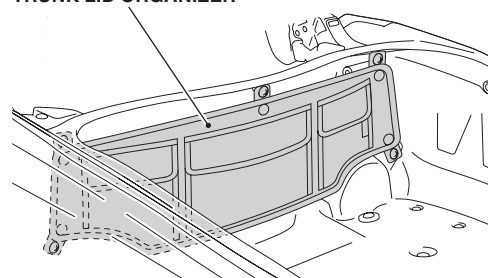
TRUNK INNER LAMP



- Lights when the trunk lock is released.
- Be careful not to get caught the item you stored when closing the trunk.

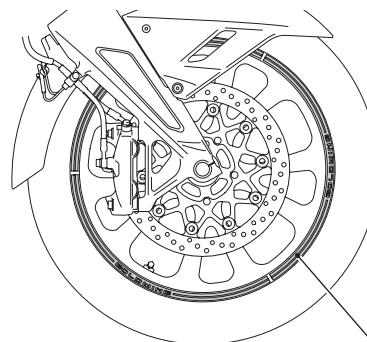
TRUNK LID ORGANIZER

TRUNK LID ORGANIZER



- The weight of the cargo must not exceed the following maximum load capacity:
0.45 kg (1.0 lb)

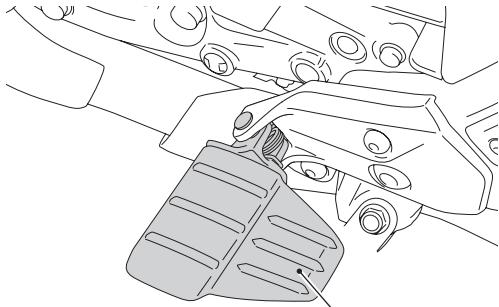
WHEEL STRIPE



WHEEL STRIPE

- When this accessory becomes dirty, rinse it thoroughly with cool water to remove loose dirt, then wipe with a clean cloth or sponge. Do not use a brush to clean this accessory as it may scratch the surface.
 - Never use organic solvents such as gasoline, thinner and benzine to clean this accessory. Also do not use acid or alkaline cleaners to clean this accessory.
- Wipe up spilled brake or battery fluid at once as they may damage the surface.
- Do not wash the motorcycle with a high-pressure washer, as this may peel off the wheel stripes.

WIDE MAIN STEP



WIDE MAIN STEP

- When this accessory becomes dirty, rinse it thoroughly with cool water to remove loose dirt, then wipe with a clean cloth or sponge. Do not use a brush to clean this accessory as it may scratch the surface.
 - Never use organic solvents such as gasoline, thinner and benzine to clean this accessory. Also do not use acid or alkaline cleaners to clean this accessory.
- Wipe up spilled brake or battery fluid at once as they may damage the surface.

MEMO

SAFETY INFORMATION

The following sentences show the label meaning.
Some labels warn you of potential hazards that could cause serious injury.
Others provide important safety information.
Read this information carefully and don't remove the label.

If a label comes off or becomes hard to read, contact your Honda dealer for a replacement.

There is a specific symbol on each label. The meanings of each symbol and label are as follows.



Read the use and care information in installation instructions or genuine accessory user's guide carefully.
Read the **LOAD LIMITS AND GUIDELINES**, and **TYRES** sections in owner's manual.

DANGER (with RED background)

You **WILL** be **KILLED** or **SERIOUSLY HURT** if you don't follow instructions.



WARNING (with ORANGE background)

You **CAN** be **KILLED** or **SERIOUSLY HURT** if you don't follow instructions.

CAUTION (with YELLOW background)

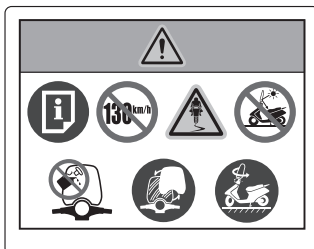
You **CAN** be **HURT** if you don't follow instructions.

Refer to this information for the meanings of the symbols shown on the accessory.

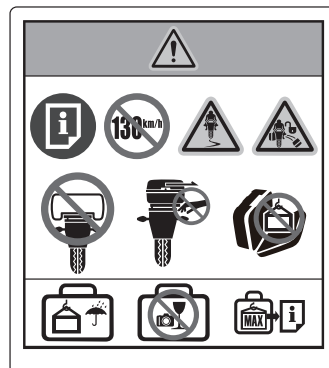
CARRIER WARNING LABEL



SCREEN WARNING LABEL



TOP BOX & PANNIER WARNING LABEL



Never ride a motorcycle equipped with accessories and a cargo at speeds above 130 km/h (80 mph).



Added accessories and cargo can reduce a motorcycle's stability, performance and safe riding speed. A motorcycle's stability is influenced by an improper loading, worn or under-inflated tyres, the overall motorcycle condition and environmental conditions.



When driving with the motorcycle, all locks of all bags must be securely locked.

Panniers or top box may fall off if not locked properly to the carrier or stay.

Check for secure locking before riding.



When the carrier base is used as a rear carrier without mounting the top box, load the cargo on the carrier base in such a manner that the ability of the carrier base to slide is not impaired.



Do not insert your fingers or your hand into the bracket installation part at the bottom of the top box. Your fingers may get caught between top box and bracket.



Heavy cargo placed on the opened lid can damage the pannier or top box and the lid.



Entry of water is possible when the vehicle is washed etc.



Please be careful when placing important objects into the box. Also be careful with breakable and valuable items. Do not leave valuable items in the bags.



Regarding the maximum loading capacity. Read the use and care information carefully in each of the accessory installation instructions or genuine accessory user's guide.



Do not park the motorcycle with the sun shining on the backside of the unit; the reflection may damage the motorcycle parts.



Never use organic solvents such as gasoline, thinner and benzene to clean this accessory. Also do not use acid or alkaline cleaners to clean.



Replace the windshield if clear vision is obstructed.



Select a firm, level surface when you park the motorcycle.